

Specifications

Voltage Output Specifications

Voltage ranges	0-5 V, 0-10 V, ± 5 V, ± 10 V
Resolution / Bits	65,000/16
Output gain stability (max)	± 0.015 % FS / $^{\circ}$ C
Output zero stability (max)	± 0.015 % FS / $^{\circ}$ C
Linearity (max)	± 0.01 % FS
Minimum load impedance	5000 Ω

Current Output Specifications

Current ranges	4-20 mA, 0-20 mA sink & source
Resolution / Bits	65,000/16
Output gain stability (max)	± 0.03 % FS / $^{\circ}$ C
Output zero stability (max)	± 0.02 % FS / $^{\circ}$ C
Linearity (max)	± 0.02 % FS
Maximum load impedance	500 Ω

Power Supply

Power supply voltage	9 to 32 Vdc
Operational current	100 mA (typical)

Radio

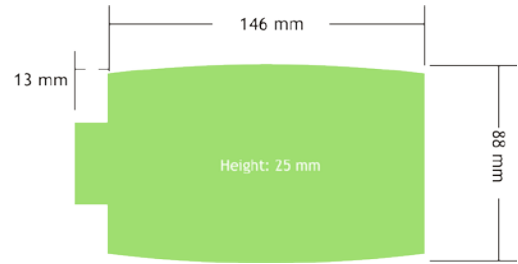
Radio type	Licence exempt transceiver
Radio frequency	2.4 GHz
Transmit power	10 mW
T24-AO1 Range	Up to 100 m
T24-AO1i Range	Up to 800 m

Environmental

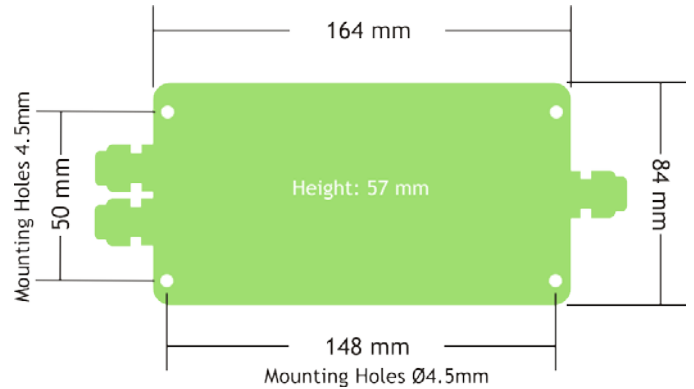
Operating temperature range	-20 to 55 $^{\circ}$ C
Storage temperature range (no batteries)	-40 to 85 $^{\circ}$ C
Maximum humidity	95% non-condensing
T24-AO1 IP rating	IP50
T24-AO1i IP rating	IP67/Nema4

Mechanical

AO1



AO1i



Electrical



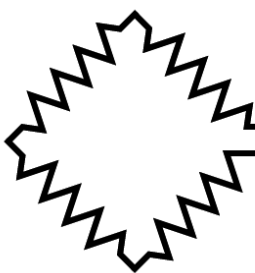
Order Codes

T24-AO1

Wireless analogue output receiver module in a desktop IP50 enclosure

T24-AO1i

Wireless analogue output receiver module in IP67 enclosure



Amber Instruments Ltd

Tel: +44 (0)1246 260250 | E-mail: sales@amberinstruments.com
 Web: amberinstruments.com
 3 Mercury House, Calleva Park, Aldermaston, Berkshire, RG7 8PN.