



T24-GW1



Amber Instruments Ltd

Tel: +44 (0)1246 260250 | E-mail: sales@amberinstruments.com
Web: amberinstruments.com
3 Mercury House, Calleva Park, Aldermaston, Berkshire, RG7 8PN.

Wireless Gateway with Modbus and ASCII Serial Output



Introduction

The T24-GW1 is a gateway that provides a standard serial interface to gather data from up to 100 transmitter modules in a T24 telemetry system using either the Modbus RTU protocol or a simple ASCII protocol.

The data sent by transmitter modules can be utilised by multiple receivers such as displays, handheld readers, analogue outputs, relay modules and computer interfaces. Receivers support common industrial power supplies and are available in robust IP rated enclosures with internal antennas optimised to give outstanding coverage.

The T24-GW1 supports RS232 and RS485 connectivity. Some simple commands are available to wake, sleep, and keep awake T24 transmitter modules.

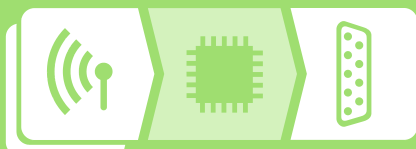
The T24 Toolkit software offers a fast and simple way to configure the gateway module.

Product Features

- Can gather data from up to 100 acquisition modules
- Standard communication interface
- Wireless configuration
- Range of up to 800 m (2,600 ft)
- Free software

Industry Solutions

- Interface with industrial PLC's
- Simple connection to existing DAQ systems (i.e. LabVIEW or DASyLab)



T24 System Overview



T24 Wireless Telemetry Sensor System is a modular wireless solution for industrial sensor applications.

High accuracy, high quality measurement is interfaced with simple yet powerful configuration and monitoring software.

Specifications

Power Supply

Power supply voltage	9 to 32 Vdc
Supply current at 12V (typical)	100 mA

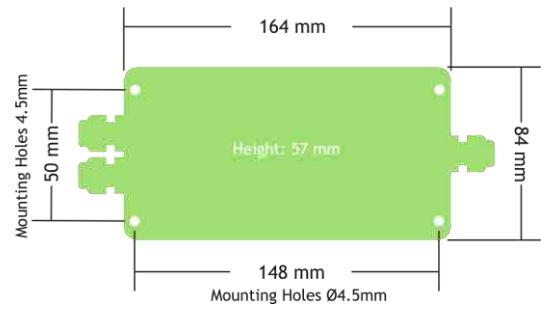
Radio

Radio type	Licence exempt transceiver
Radio frequency	2.4 GHz
Transmit power	10 mW
Range	Up to 800 m

Environmental

Operating temperature range	-20 to 55 °C
Storage temperature range	-40 to 85 °C
Maximum humidity	95% non-condensing
IP rating (excluding USB connector)	IP67/Nema4

Mechanical



Electrical



Order Codes

T24-GW1

Wireless gateway with Modbus and ASCII serial output in IP67 enclosure

Amber Instruments Ltd

Tel: +44 (0)1246 260250 | E-mail: sales@amberinstruments.com
Web: amberinstruments.com
3 Mercury House, Calleva Park, Aldermaston, Berkshire, RG7 8PN.