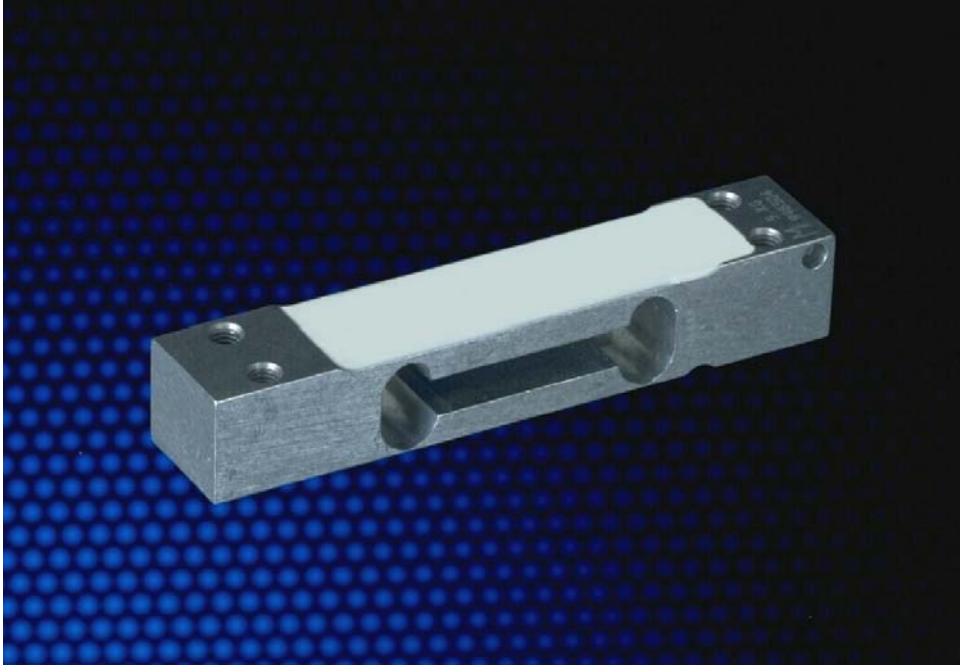




SP22 Platform Load Cell



Platform Load Cell, Model SP22

- Approved to OIML R60 4000D
- Typical platform size 350 x 350 mm
- Available in capacity ranges from 3kg to 35kg
- Ideal for retail, bench or counting scales
- Low cost, low profile construction
- Easy to mount and use
- Sealed to IP66
- 4-wire cable

Torque Transducers, Load Cells (general purpose, weighing & fatigue rated). Multi-Axis Force/Torque, Weighing Instruments, Process Instruments, Portable Data Loggers, Pressure Sensors, Proximity Sensors, Laser (Distance Measuring) Sensors, & more.

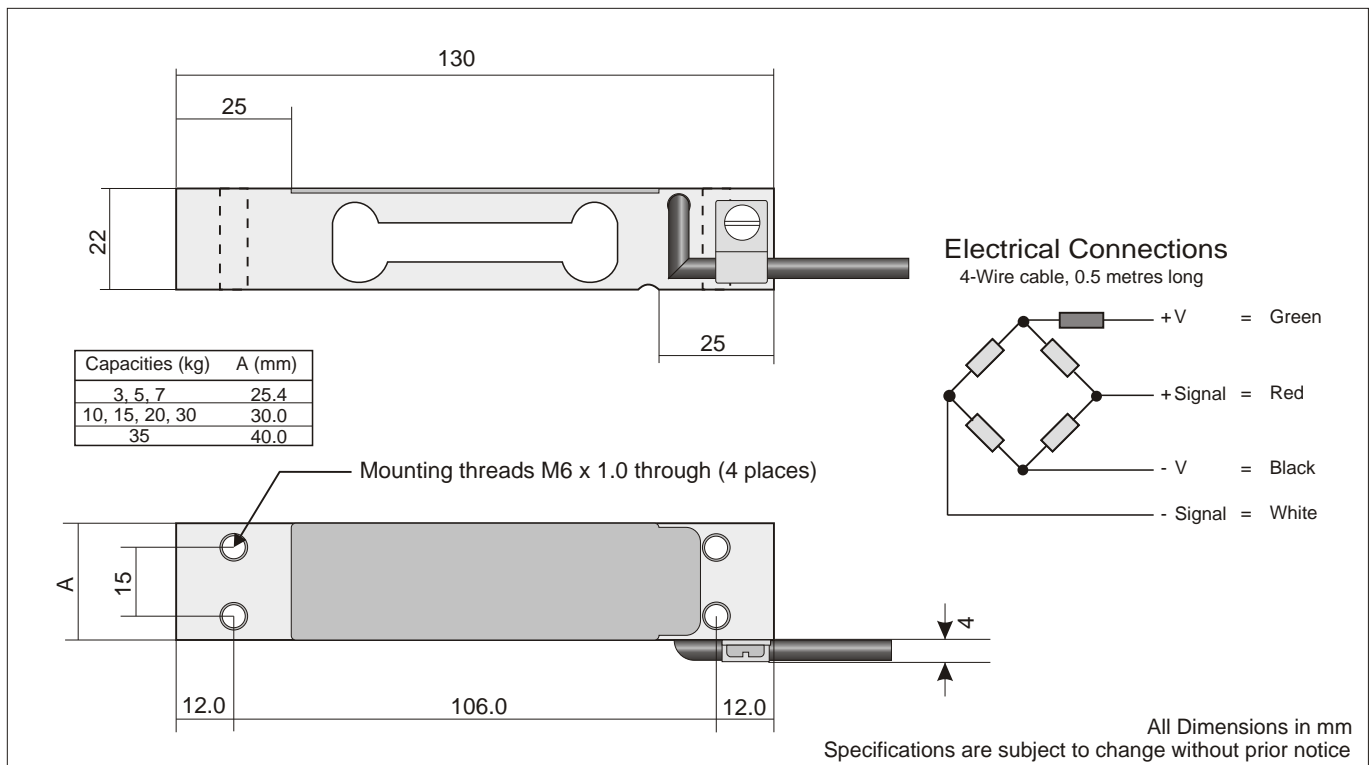
Technical Data

Model SP22

GRADE		E	F	G	C3
Number of Load Cell Intervals	n (max)				3000
Minimum Utilisation	% Rated Cap.				50
Minimum Verification Interval	Vmin=Emax/.				6000
Total Error	% Appl. Load	0.030	0.020	0.020	0.020
Zero Return after 30 mins	% Appl. Load	0.050	0.025	0.017	0.017
Temperature Effect on : Span	%Appl. Ld./10K	0.030	0.014	0.010	0.010
Zero	%ORL/10K	0.100	0.060	0.040	0.023
Output at Rated Load (ORL)	mV/V	2			
Output at Rated Load Tolerance	%	± 10			
Input Impedance	Ohm	415 ± 15			
Output Impedance	Ohm	350 ± 3			
Recommended Supply Voltage	V	10			
Compensated Temp. Range	°C	-10 to +40			
Operating Temperature Range	°C	-30 to +70			
Deflection	mm	< 0.4			
Safe Overload	% Rated Cap.	150			
Maximum Overload	% Rated Cap.	200			
Ultimate Overload	% Rated Cap.	300			
Cable Length	m	0.5			
Typical Platform Size	mm	350 x 350			
Environmental Protection		IP66			
Rated Capacities (Emax)	Kg	3, 5, 7, 10, 15, 20, 30, 35			

NMI-Certificate TC2792. Grade C4 available, please contact Sales Office

Dimensions



DS-SP22/1/3/9/99